



# REVIT IS HERE!!!

## What is Revit?

Revit is a building information modeling software developed by Autodesk specifically for mechanical, electrical and plumbing designers. It is the next generation of drafting that allows for a 3-dimensional view of your project providing for ease of coordination between the architect, MEP engineers and contractors.

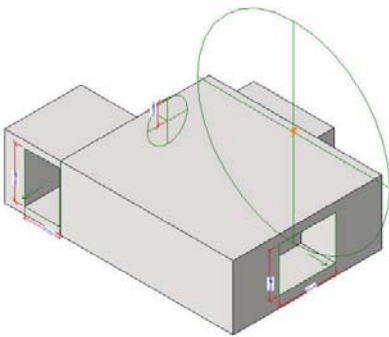
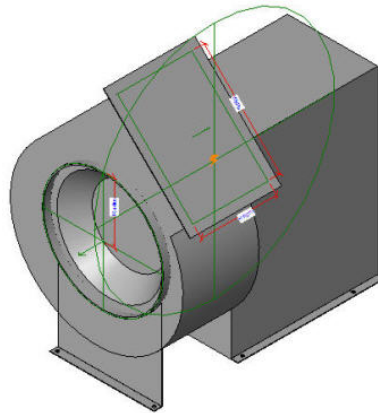
## Revit models are NOW available for Cook, Titus and Ruskin!

We are pleased to announce that Cook, Titus and Ruskin have jumped on board and currently offer complete and functional Revit models of their products online.

**Cook** – Revit drawings are now available for all Cook ventilation products ranging from small ceiling mounted fans to the Vari-Plume lab exhaust fan! Each family of drawings includes connector elements for ductwork, electrical controls and mounting. User defined attributes are included for airflow, static pressure, RPM, horsepower, voltage, phase, etc.

Please visit [www.lorencook.com](http://www.lorencook.com) and click on “Design Tools” or follow the above link.

Note: Please set up a Cook account for complete access.



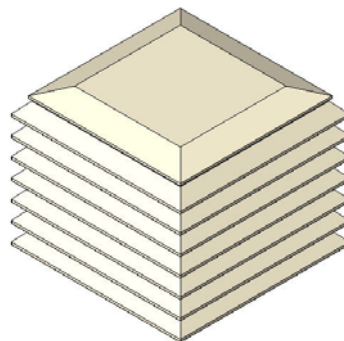
**Titus** – Revit drawings are now available for all VAV Terminal units and Fan Powered Boxes, including the Fantom – ultra quiet fan powered box and the new line of Underfloor terminals. Options for hot water, electric heat, left/right hand unit configurations and various voltages are all available.

Please visit [www.titus-hvac.com](http://www.titus-hvac.com) and click on “Software” and the sub-category “Revit” or follow the above link.

Note: Titus has a “group download” function available to make it easier to download multiple files at once.

**Ruskin** – Revit drawings are now available for almost all Ruskin products! Airflow measuring stations, control dampers, ERV’s, fire and smoke dampers, industrial dampers, louvers, even architectural screens and sun shades!

Please visit [www.Ruskin.com](http://www.Ruskin.com) and click on “Revit Models” at the top of the home page or follow the above link.



*Your feedback is always important to us, so if you have comments any of the Revit models please let us know!*